

## ROOF-MOUNTED ATEX EXTRACTOR FANS

## HTMV/ATEX

**Roof-mounted helical extractor fans with vertical air outlet, ATEX certified and optional Ex e, Ex d, Ex tc and Ex tb marking**



Ex "e" marking:  $\text{C}\text{E}\text{C}\text{E}\text{X}$  II 2G Ex e  
 Ex "d" marking:  $\text{C}\text{E}\text{C}\text{E}\text{X}$  II 2G Ex d  
 Ex tc marking:  $\text{C}\text{E}\text{C}\text{E}\text{X}$  II 3D Ex tc  
 Ex tb marking:  $\text{C}\text{E}\text{C}\text{E}\text{X}$  II 2D Ex tb  
 Notified Body: L.O.M.  
 Identification no.:  
 LOM03ATEX0157

Roof-mounted helical extractor fans with vertical air outlet and aluminium rain cap, ATEX Certification, with CEE ExII2G Ex e explosion-proof, CEE ExII2G Ex d, Ex tc, or Ex tb non-sparking motor for working in explosive atmospheres containing dust or gas.

## Fan:

- Galvanised sheet steel support base with corrosion-proof treatment
- Cast aluminium orientable rotors
- Anti-contact protective grille pursuant to standard UNE-EN ISO 12499
- Anti-return hatch in aluminium sheet metal to prevent the entry of water when the fan is not operating
- Motor-rotor airflow direction

## Motor:

- ATEX-certified, Ex e explosion-proof, Ex d, Ex tc and Ex tb non-sparking class F motors with ball bearings
- Three-phase 230/400V.-50Hz (up to 4 kW) and 400/690V.-50Hz (powers greater than 4 kW)
- Maximum temperature of air to be carried: -20°C +40°C

erised at 190°C, previously degreased with phosphate-free nanotechnological treatment

## On request:

## Finish:

- ATEX corrosion-proof, with non-ferric paint finish of polyester resin polym-

- Made entirely of stainless steel
- Made of hot-dip galvanised steel
- Motors with built-in PTC
- Special windings for different voltages and frequencies
- ATEX construction for different categories
- Extractor fans with 2-speed motors
- Single-phase, Ex d non-sparking motors

## Order code

From size 40 to size 100

HTMV/ATEX — 56 — 4T — 2 — Ex-e

Roof-mounted helical extractor fans with vertical air outlet

Rotor diameter in cm

Number of motor poles

T=Three-phase

Motor power (HP)

Ex-e marking:  
 $\text{C}\text{E}\text{C}\text{E}\text{X}$  II 2G Ex e IIB T3  
 Ex "d" marking:  
 $\text{C}\text{E}\text{C}\text{E}\text{X}$  II 2G Ex d IIB T5  
 Ex tc marking:  
 $\text{C}\text{E}\text{C}\text{E}\text{X}$  II 3D Ex tc  
 Ex tb marking:  
 $\text{C}\text{E}\text{C}\text{E}\text{X}$  II 2D Ex tb

## Marking:

$\text{C}\text{E}\text{C}\text{E}\text{X}$  II 2G c  
 $\text{C}\text{E}\text{C}\text{E}\text{X}$  II 2D c  
 $\text{C}\text{E}\text{C}\text{E}\text{X}$  II 3D c

Size 125

HTMV/ATEX — 125 — 4T / 9 — 25 — Ex-e

Roof-mounted helical extractor fans with vertical air outlet

Rotor diameter in cm

Number of motor poles

T=Three-phase

Number of blades  
 3 blades  
 6 blades  
 9 blades

Motor power (HP)

Ex-e marking:  
 $\text{C}\text{E}\text{C}\text{E}\text{X}$  II 2G Ex e IIB T3  
 Ex "d" marking:  
 $\text{C}\text{E}\text{C}\text{E}\text{X}$  II 2G Ex d IIB T5  
 Ex tc marking:  
 $\text{C}\text{E}\text{C}\text{E}\text{X}$  II 3D Ex tc  
 Ex tb marking:  
 $\text{C}\text{E}\text{C}\text{E}\text{X}$  II 2D Ex tb

## Marking:

$\text{C}\text{E}\text{C}\text{E}\text{X}$  II 2G c  
 $\text{C}\text{E}\text{C}\text{E}\text{X}$  II 2D c  
 $\text{C}\text{E}\text{C}\text{E}\text{X}$  II 3D c

# HTMV/ATEX

## ROOF-MOUNTED ATEX EXTRACTOR FANS

### Technical characteristics

Model	Speed (r/min)	Maximum admissible current (A)			Installed power (kW)	Maximum flow rate (m³/h)	Sound pressure (1) level dB(A)		Approx. weight (Kg)
		230V	400V	690V			Aspiration	Discharge	
HTMV/ATEX-40-4T-0.75	1410	2.94	1.7		0.55	4800	51	46	36
HTMV/ATEX-40-6T-0.75	930	3.46	2		0.55	3150	40	36	43
HTMV/ATEX-45-4T-0.75	1410	2.94	1.7		0.55	7450	55	50	39
HTMV/ATEX-45-6T-0.75	930	3.46	2		0.55	4450	42	38	46
HTMV/ATEX-50-4T-1	1410	3.81	2.2		0.75	9750	59	54	49
HTMV/ATEX-50-6T-0.75	930	3.46	2		0.55	7000	47	43	53
HTMV/ATEX-56-4T-1	1410	3.81	2.2		0.75	11250	63	58	56
HTMV/ATEX-56-4T-1.5	1410	5.2	3		1.10	13600	64	59	52
HTMV/ATEX-56-4T-2	1400	6.93	4		1.50	15050	65	60	56
HTMV/ATEX-56-6T-0.75	930	3.46	2		0.55	10150	52	48	56
HTMV/ATEX-63-4T-1.5	1410	5.2	3		1.10	17800	63	59	61
HTMV/ATEX-63-4T-2	1400	6.93	4		1.50	19300	63	59	66
HTMV/ATEX-63-4T-3	1410	9.01	5.2		2.20	22150	65	61	72
HTMV/ATEX-63-4T-4	1440	12.3	7.1		3.00	24250	66	62	80
HTMV/ATEX-63-6T-0.75	930	3.46	2		0.55	13600	55	51	66
HTMV/ATEX-63-6T-1	930	4.16	2.4		0.75	15900	57	53	62
HTMV/ATEX-71-4T-2	1400	6.93	4		1.50	20900	68	64	73
HTMV/ATEX-71-4T-3	1410	9.01	5.2		2.20	25100	67	63	79
HTMV/ATEX-71-4T-4	1440	12.3	7.1		3.00	27500	68	64	87
HTMV/ATEX-71-6T-0.75	930	3.46	2		0.55	16100	56	53	73
HTMV/ATEX-71-6T-1	930	4.16	2.4		0.75	17300	57	53	69
HTMV/ATEX-71-6T-1.5	910	5.89	3.4		1.10	19950	58	54	77
HTMV/ATEX-80-4T-4	1440	12.3	7.1		3.00	30250	71	67	109
HTMV/ATEX-80-4T-5.5	1450	15.76	9.1		4.00	32750	71	67	112
HTMV/ATEX-80-6T-1.5	910	5.89	3.4		1.10	21450	61	57	99
HTMV/ATEX-80-6T-2	940	7.62	4.4		1.50	25950	62	58	107
HTMV/ATEX-80-6T-3	940	9.35	5.4		2.20	29950	63	59	105
HTMV/ATEX-90-4T-5.5	1450	15.76	9.1		4.00	38900	75	71	125
HTMV/ATEX-90-4T-7.5	1440		12	6.93	5.50	46150	74	70	151
HTMV/ATEX-90-4T-10	1448		16.3	9.41	7.50	50150	73	69	110
HTMV/ATEX-90-6T-2	940	7.62	4.4		1.50	28800	64	60	120
HTMV/ATEX-90-6T-3	940	9.35	5.4		2.20	34000	65	60	119
HTMV/ATEX-90-6T-4	945	14.72	8.5		3.00	38900	66	62	147
HTMV/ATEX-100-4T-7.5	1440		12	6.93	5.50	46850	79	75	162
HTMV/ATEX-100-4T-10	1448		16.3	9.41	7.50	57400	77	73	121
HTMV/ATEX-100-4T-15	1460		23.8	13.74	11.00	66300	76	72	217
HTMV/ATEX-100-4T-20	1450		30.6	17.67	15.00	76150	78	74	234
HTMV/ATEX-100-6T-3	940	9.35	5.4		2.20	37600	67	64	131
HTMV/ATEX-100-6T-4	945	14.72	8.5		3.00	41150	67	62	159
HTMV/ATEX-100-6T-5.5	950	18.88	10.9		4.00	47800	68	64	156
HTMV/ATEX-125-4T/3-25	1474		35.7	20.6	18.50	98350	81	76	546
HTMV/ATEX-125-4T/3-30	1465		42	24	22.00	110350	82	77	424
HTMV/ATEX-125-4T/3-40	1471		55	31.8	30.00	125000	83	78	579
HTMV/ATEX-125-4T/6-25	1474		35.7	20.6	18.50	92550	80	75	555
HTMV/ATEX-125-4T/6-30	1465		42	24	22.00	98850	80	75	433
HTMV/ATEX-125-4T/6-40	1471		55	31.8	30.00	117450	82	77	587
HTMV/ATEX-125-4T/6-50	1480		69	39.9	37.00	131050	83	78	643
HTMV/ATEX-125-4T/9-25	1474		35.7	20.6	18.50	79650	78	73	564
HTMV/ATEX-125-4T/9-30	1465		42	24	22.00	88300	79	74	442
HTMV/ATEX-125-4T/9-40	1471		55	31.8	30.00	104050	81	76	596
HTMV/ATEX-125-4T/9-50	1480		69	39.9	37.00	118400	83	78	652
HTMV/ATEX-125-6T/3-4	945	14.72	8.5		3.00	46750	70	65	255
HTMV/ATEX-125-6T/3-5.5	950	18.88	10.9		4.00	55400	70	66	252
HTMV/ATEX-125-6T/3-7.5	950		14	8.08	5.50	68400	71	67	233
HTMV/ATEX-125-6T/3-10	965		16.4	9.47	7.50	79150	73	69	236
HTMV/ATEX-125-6T/3-15	965		23.3	13.45	11.00	87150	74	70	320
HTMV/ATEX-125-6T/3-20	972		29.7	17.1	15.00	91650	75	71	550
HTMV/ATEX-125-6T/6-5.5	950	18.88	10.9		4.00	51500	66	62	261
HTMV/ATEX-125-6T/6-7.5	950		14	8.08	5.50	60650	66	62	242

## ROOF-MOUNTED ATEX EXTRACTOR FANS

## Technical characteristics

Model	Speed (r/min)	Maximum admissible current (A)			Installed power (kW)	Maximum flow rate (m³/h)	Sound pressure (1) level dB(A)		Approx. weight (Kg)
		230V	400V	690V			Aspiration	Discharge	
HTMV/ATEX-125-6T/6-10	965		16.4	9.47	7.50	72650	68	64	245
HTMV/ATEX-125-6T/6-15	965		23.3	13.45	11.00	85850	70	66	329
HTMV/ATEX-125-6T/6-20	972		29.7	17.1	15.00	92850	71	67	559
HTMV/ATEX-125-6T/9-10	965		16.4	9.47	7.50	63500	68	64	254
HTMV/ATEX-125-6T/9-15	965		23.3	13.45	11.00	77550	71	67	338
HTMV/ATEX-125-6T/9-20	972		29.7	17.1	15.00	92950	74	70	568

(1) The noise level values are pressures in dB(A) measured at a distance of 6 metres in a free field.

## Acoustic characteristics

The indicated values are determined by measuring the pressure and noise level and noise level in dB(A) obtained in a free field at a distance of 6 m.

Noise power spectrum Lw(A) in dB(A) frequency band in [Hz]

Values taken during aspiration with maximum flow rate

Model	63	125	250	500	1000	2000	4000	8000
40-4-0,75	36	57	64	69	72	68	61	50
40-6-0,75	25	46	53	58	61	57	50	39
45-4-0,75	40	61	68	73	76	72	65	54
45-6-0,75	27	48	55	60	63	59	52	41
50-4-1	44	64	72	77	79	76	69	58
50-6-0,75	32	52	60	65	67	64	57	46
56-4-1	48	68	76	81	83	80	73	62
56-4-1,5	49	69	77	82	84	81	74	63
56-4-2	50	70	78	83	85	82	75	64
56-6-0,75	37	57	65	70	72	69	62	51
63-4-1,5	48	68	76	81	83	80	73	65
63-4-2	52	68	76	81	83	80	73	66
63-4-3	53	70	78	83	85	82	77	67
63-4-4	54	71	79	84	86	83	78	68
63-6-0,75	42	60	68	73	75	72	65	56
63-6-1	43	62	70	75	77	74	67	57
71-4-2	53	73	81	86	88	85	78	70
71-4-3	58	72	80	85	87	84	77	71
71-4-4	59	73	81	86	88	85	78	72
71-6-0,75	44	63	72	74	76	73	66	55
71-6-1	45	65	73	75	77	74	67	56
71-6-1,5	46	66	71	76	78	75	68	57
80-4-4	56	76	84	89	91	88	81	74
80-4-5,5	56	76	84	89	91	88	81	74
80-6-1,5	49	66	74	79	81	78	71	60
80-6-2	50	67	75	80	82	79	72	61
80-6-3	51	68	76	81	83	80	73	62
90-4-5,5	60	81	88	93	96	92	85	74
90-4-7,5	59	80	87	92	95	91	84	73
90-4-10	58	79	86	91	94	90	83	72
90-6-2	49	70	77	82	85	81	74	63
90-6-3	56	70	77	82	85	81	74	63
90-6-4	57	72	79	84	87	83	76	65
100-4-7,5	64	84	92	97	99	96	89	78
100-4-10	62	82	90	95	97	94	87	76
100-4-15	61	81	89	94	96	93	86	75
100-4-20	63	83	91	96	98	95	88	77
100-6-3	61	72	80	85	87	84	77	66
100-6-4	64	72	80	85	87	84	77	66
100-6-5,5	64	73	81	86	88	85	78	67
125-4/3-25	73	79	91	101	101	97	89	85
125-4/3-30	74	80	92	102	102	98	90	86
125-4/3-40	75	81	93	103	103	99	91	87
125-4/6-25	68	76	92	99	101	96	90	86
125-4/6-30	68	76	92	99	101	96	90	86
125-4/6-40	70	78	94	101	103	98	92	88
125-4/6-50	71	79	95	102	104	99	93	89
125-4/9-25	66	74	91	97	98	93	88	84
125-4/9-30	67	75	92	98	99	94	89	85
125-4/9-40	69	77	94	100	101	96	91	87
125-4/9-50	71	79	96	102	103	98	93	89
125-6/3-4	66	74	86	90	88	83	74	70
125-6/3-5,5	66	74	86	90	88	83	74	70
125-6/3-7,5	67	75	87	91	89	84	75	71
125-6/3-10	69	77	89	93	91	86	77	73
125-6/3-15	70	78	90	94	92	87	78	74
125-6/3-20	71	79	91	95	93	88	79	75
125-6/6-5,5	60	69	82	85	86	83	72	68
125-6/6-7,5	60	69	82	85	86	83	72	68
125-6/6-10	62	71	84	87	88	85	74	70
125-6/6-15	64	73	86	89	90	87	76	72
125-6/6-20	65	74	87	90	91	88	77	73
125-6/9-10	58	68	83	87	86	85	74	70
125-6/9-15	61	71	86	90	89	88	77	73
125-6/9-20	64	74	89	93	92	91	80	76

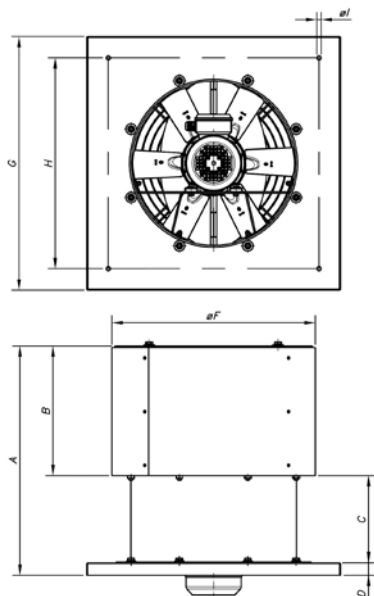
Values taken during discharge with maximum flow rate

Model	63	125	250	500	1000	2000	4000	8000
40-4-0,75	31	52	59	64	67	63	56	45
40-6-0,75	21	42	49	54	57	53	46	35
45-4-0,75	35	56	63	68	71	67	60	49
45-6-0,75	23	44	51	56	59	55	48	37
50-4-1	39	59	67	72	74	71	64	53
50-6-0,75	28	48	56	61	63	60	53	42
56-4-1	43	63	71	76	78	75	68	57
56-4-1,5	44	64	72	77	79	76	69	58
56-4-2	45	65	73	78	80	77	70	59
56-6-0,75	33	53	61	66	68	65	58	47
63-4-1,5	44	64	72	77	79	76	69	60
63-4-2	47	64	72	77	79	76	69	61
63-4-3	48	66	74	79	81	78	73	62
63-4-4	49	67	75	80	82	79	74	63
63-6-0,75	38	56	64	69	71	68	61	52
63-6-1	39	58	66	71	73	70	63	53
71-4-2	49	69	77	82	84	81	74	65
71-4-3	53	68	76	81	83	80	73	67
71-4-4	54	69	77	82	84	81	74	68
71-6-0,75	40	60	68	71	73	70	63	52
71-6-1	41	61	69	71	73	70	63	52
71-6-1,5	42	62	67	72	74	71	64	53
80-4-4	52	72	80	85	87	84	77	69
80-4-5,5	52	72	80	85	87	84	77	70
80-6-1,5	45	62	70	75	77	74	67	56
80-6-2	46	63	71	76	78	75	68	57
80-6-3	47	64	72	77	79	76	69	58
90-4-5,5	56	77	84	89	92	88	81	70
90-4-7,5	55	76	83	88	91	87	80	69
90-4-10	54	75	82	87	90	86	79	68
90-6-2	45	66	73	78	81	77	70	59
90-6-3	52	66	73	78	81	77	70	59
90-6-4	53	68	75	80	83	79	72	61
100-4-7,5	60	80	88	93	95	92	85	74
100-4-10	58	78	86	91	93	90	83	72
100-4-15	57	77	85	90	92	89	82	71
100-4-20	59	79	87	92	94	91	84	73
100-6-3	58	69	77	82	84	81	74	63
100-6-4	59	67	75	80	82	79	72	61
100-6-5,5	60	69	77	82	84	81	74	63
125-4/3-25	68	74	86	96	96	92	84	80
125-4/3-30	69	75	87	97	97	93	85	81
125-4/3-40	70	76	88	98	98	94	86	82
125-4/6-25	63	71	87	94	96	91	85	81
125-4/6-30	63	71	87	94	96	91	85	81
125-4/6-40	65	73	89	96	98	93	87	83
125-4/6-50	66	74	90	97	99	94	88	84
125-4/9-25	61	69	86	92	93	88	83	79
125-4/9-30	62	70	87	93	94	89	84	80
125-4/9-40	64	72	89	95	96	91	86	82
125-4/9-50	66	74	91	97	98	93	88	84
125-6/3-4	61	69	81	85	83	78	69	65
125-6/3-5,5	62	70	82	86	84	79	70	66
125-6/3-7,5	63	71	83	87	85	80	71	67
125-6/3-10	65	73	85	89	87	82	73	69
125-6/3-15	66	74	86	90	88	83	74	70
125-6/3-20	67	75	87	91	89	84	75	71
125-6/6-5,5	56	65	78	81	82	79	68	64
125-6/6-7,5	56	65	78	81	82	79	68	64
125-6/6-10	58	67	80	83	84	81	70	66
125-6/6-15	60	69	82	85	86	83	72	68
125-6/6-20	61	70	83	86	87	84	73	69
125-6/9-10	54	64	79	83	82	81	70	66
125-6/9-15	57	67	82	86	85	84	73	69
125-6/9-20	60	70	85	89	88	87	76	72

# HTMV/ATEX

## ROOF-MOUNTED ATEX EXTRACTOR FANS

### Dimensions mm



Model	A	B	C	D	ØF	G	H	ØI
HTMV/ATEX-40	690	360	244	35	519	630	530	12
HTMV/ATEX-45	700	374	244	35	569	710	590	12
HTMV/ATEX-50	740	412	244	35	626	900	750	12
HTMV/ATEX-56	770	438	244	40	686	900	750	14
HTMV/ATEX-63	810	475	244	40	753	1000	850	14
HTMV/ATEX-71	890	510	292	40	833	1000	850	14
HTMV/ATEX-80	950	555.5	292	50	923	1150	1000	14
HTMV/ATEX-90	1040	611	338	40	1031	1150	1000	14
HTMV/ATEX-100	1197	659	438	50	1128	1250	1100	14
HTMV/ATEX-125	1373	785.5	488	50	1376	1600	1450	17

### Characteristic curves

See THT/ROOF series

### Accessories

See accessories section

