

CJTHT/PLUS

CJTHT/PLUS


400°C/2h, 300°C/2h and 200°C/2h axial extraction units with built-in noise reducer


Extraction units with soundproofed box to work inside fire danger zones at 400°C/2h and noise reducer, with built-in central core.

Fan:

- Galvanised sheet steel structure with thermal insulation and soundproofing.
- Turnable cast aluminium impellers.
- Noise reducer with sound-absorbing material, especially tested to reduce noise considerably. Units suitable for working in both horizontal and vertical positions. Approval according to Standard EN-12101-3:2002/AC:2006, with certification No. 0370-CPR-0312
- Airflow direction from motor to impeller



Highly-efficient built-in noise reducer.

Motor:

- Class H motors, ongoing use S1 and emergency use S2, with ball bearings, IP55 protection, and one- or two- speed depending on the model.
- Three-phase 230/400V.-50Hz. (up to 4HP) and 400/690V.-50Hz. (power over 4HP)
- Max. air temperature to transport: S1 Service -20°C+ 40°C for ongoing use, S2 Service 200°C/2h, 300°C/2h, 400°C/2h

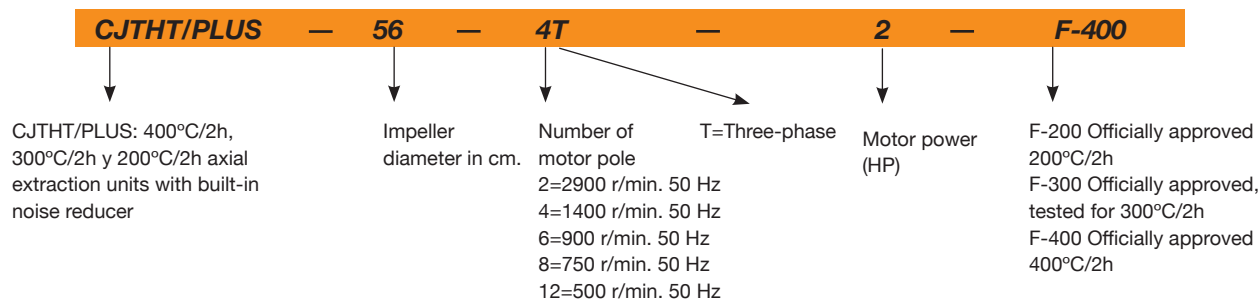
Finish:

- Anti-corrosive galvanised sheet steel.

On request:

- 100% reversible impellers.

Order code



Technical characteristics

Model	Speed (r/min)	Maximum admissible current (A)			Power installed (kW)	Tilting angle blades (°)	Airflow maximum (m³/h)	Sound pressure level dB(A)	Approx. weight (Kg)
		230V	400V	690V					
CJTHT-40-2/4T-1.5/PLUS	2900 / 1450		2.90 / 1.10		1.10 / 0.25	20	7050 / 3525	71 / 56	53
CJTHT-40-2/4T-2/PLUS	2940 / 1460		4.40 / 1.40		1.50 / 0.37	24	7950 / 3975	72 / 57	54
CJTHT-40-4T-0.75/PLUS	1420	2.90	1.70		0.55	32	4800	59	47
CJTHT-40-6T-0.75/PLUS	930	3.30	1.90		0.55	32	3150	49	52
CJTHT-40-6/12T-0.75/PLUS	940 / 460		2.10 / 0.90		0.55 / 0.09	32	3150 / 1575	49 / 34	56
CJTHT-45-2/4T-2/PLUS	2940 / 1460		4.40 / 1.40		1.50 / 0.37	16	9400 / 4700	73 / 58	56
CJTHT-45-2/4T-3/PLUS	2930 / 1450		5.70 / 1.80		2.20 / 0.60	22	11350 / 5675	75 / 60	58
CJTHT-45-4T-0.75/PLUS	1420	2.90	1.70		0.55	36	7450	63	49
CJTHT-45-6T-0.75/PLUS	930	3.30	1.90		0.55	30	4450	51	53
CJTHT-45-6/12T-0.75/PLUS	940 / 460		2.10 / 0.90		0.55 / 0.09	30	4450 / 2225	51 / 36	58
CJTHT-50-2/4T-4/PLUS	2920 / 1440		6.70 / 2.00		3.00 / 0.80	16	13900 / 6950	77 / 60	65

SODECA

Technical characteristics

Model	Speed (r/min)	Maximum admissible current (A)			Power installed (kW)	Tilting angle blades (°)	Airflow maximum (m ³ /h)	Sound pressure level dB(A)	Approx. weight (Kg)
		230V	400V	690V					
CJTHT-50-2/4T-6/PLUS	2930 / 1450		10.00 / 3.20		4.50 / 1.30	20	15900 / 7950	78 / 63	81
CJTHT-50-4T-1/PLUS	1430	3.80	2.20		0.75	28	9750	64	51
CJTHT-50-6T-0.75/PLUS	930	3.30	1.90		0.55	32	7000	53	55
CJTHT-50-6/12T-0.75/PLUS	940 / 460		2.10 / 0.90		0.55 / 0.09	32	7000 / 3500	53 / 38	59
CJTHT-56-2/4T-6/PLUS	2930 / 1450		10.00 / 3.20		4.50 / 1.30	16	18800 / 9400	83 / 67	90
CJTHT-56-2/4T-12/PLUS	2920 / 1440		18.50 / 5.50		9.00 / 2.50	30	27200 / 13600	84 / 69	153
CJTHT-56-4T-1/PLUS	1430	3.80	2.20		0.75	22	11250	68	62
CJTHT-56-4T-1.5/PLUS	1420	4.70	2.70		1.10	30	13600	69	64
CJTHT-56-4/8T-1.5/PLUS	1440 / 710		2.90 / 1.40		1.10 / 0.25	30	13600 / 6800	69 / 52	68
CJTHT-56-4T-2/PLUS	1425	6.60	3.80		1.50	36	15050	70	68
CJTHT-56-4/8T-2/PLUS	1415 / 715		3.60 / 1.50		1.50 / 0.30	36	15050 / 7525	70 / 53	80
CJTHT-56-6T-0.75/PLUS	930	3.30	1.90		0.55	38	10150	58	64
CJTHT-56-6/12T-0.75/PLUS	940 / 460		2.10 / 0.90		0.55 / 0.09	38	10150 / 5075	58 / 41	68
CJTHT-63-4T-1/PLUS	1430	3.80	2.20		0.75	14	15200	68	66
CJTHT-63-4T-1.5/PLUS	1420	4.70	2.70		1.10	20	17800	69	69
CJTHT-63-4/8T-1.5/PLUS	1440 / 710		2.90 / 1.40		1.10 / 0.25	20	17800 / 8900	69 / 52	72
CJTHT-63-4T-2/PLUS	1425	6.60	3.80		1.50	24	19300	70	72
CJTHT-63-4/8T-2/PLUS	1415 / 715		3.60 / 1.50		1.50 / 0.30	24	19300 / 9650	70 / 53	84
CJTHT-63-4T-3/PLUS	1435	9.20	5.30		2.20	32	22150	72	78
CJTHT-63-4/8T-3/PLUS	1415 / 715		5.20 / 1.90		2.20 / 0.45	32	22150 / 11075	72 / 54	90
CJTHT-63-4T-4/PLUS	1430	11.40	6.60		3.00	38	24250	73	87
CJTHT-63-4/8T-4/PLUS	1420 / 705		6.90 / 2.30		3.00 / 0.60	38	24250 / 12125	73 / 55	101
CJTHT-63-6T-0.75/PLUS	930	3.30	1.90		0.55	28	13600	61	68
CJTHT-63-6/12T-0.75/PLUS	940 / 460		2.10 / 0.90		0.55 / 0.09	28	13600 / 6800	61 / 44	72
CJTHT-63-6T-1/PLUS	940	4.40	2.60		0.75	38	15900	62	72
CJTHT-63-6/12T-1/PLUS	935 / 430		2.50 / 1.03		0.75 / 0.15	38	15900 / 7950	62 / 45	78
CJTHT-71-4T-1.5/PLUS	1420	4.70	2.70		1.10	12	19500	74	85
CJTHT-71-4/8T-1.5/PLUS	1440 / 710		2.90 / 1.40		1.10 / 0.25	12	19500 / 9750	74 / 59	89
CJTHT-71-4T-2/PLUS	1425	6.60	3.80		1.50	14	20900	75	89
CJTHT-71-4/8T-2/PLUS	1415 / 715		3.60 / 1.50		1.50 / 0.30	14	20900 / 10450	75 / 60	101
CJTHT-71-4T-3/PLUS	1435	9.20	5.30		2.20	22	25100	76	95
CJTHT-71-4/8T-3/PLUS	1415 / 715		5.20 / 1.90		2.20 / 0.45	22	25100 / 12550	76 / 62	107
CJTHT-71-4T-4/PLUS	1430	11.40	6.60		3.00	28	27500	77	104
CJTHT-71-4/8T-4/PLUS	1420 / 705		6.90 / 2.30		3.00 / 0.60	28	27500 / 13750	77 / 63	118
CJTHT-71-6T-0.75/PLUS	930	3.30	1.90		0.55	20	16100	63	85
CJTHT-71-6/12T-0.75/PLUS	940 / 460		2.10 / 0.90		0.55 / 0.09	20	16100 / 8050	63 / 49	89
CJTHT-71-6T-1/PLUS	940	4.40	2.60		0.75	26	17300	64	88
CJTHT-71-6/12T-1/PLUS	935 / 430		2.50 / 1.03		0.75 / 0.15	26	17300 / 8650	64 / 49	95
CJTHT-71-6T-1.5/PLUS	945	6.40	3.70		1.10	34	19950	65	94
CJTHT-71-6/12T-1.5/PLUS	940 / 450		3.30 / 1.20		1.10 / 0.18	34	19950 / 9975	65 / 50	102
CJTHT-80-4T-3/PLUS	1435	9.20	5.30		2.20	12	25450	78	103
CJTHT-80-4/8T-3/PLUS	1415 / 715		5.20 / 1.90		2.20 / 0.45	12	25450 / 12725	78 / 63	115
CJTHT-80-4T-4/PLUS	1430	11.40	6.60		3.00	16	30250	79	112
CJTHT-80-4/8T-4/PLUS	1420 / 705		6.90 / 2.30		3.00 / 0.60	16	30250 / 15125	79 / 64	125
CJTHT-80-4T-5.5/PLUS	1440		8.40	4.85	4.00	18	32750	80	118
CJTHT-80-4/8T-5.5/PLUS	1450 / 720		9.40 / 3.50		4.00 / 0.80	18	32750 / 16375	80 / 65	153
CJTHT-80-6T-1.5/PLUS	945	6.40	3.70		1.10	18	21450	68	102
CJTHT-80-6/12T-1.5/PLUS	940 / 450		3.30 / 1.20		1.10 / 0.18	18	21450 / 10725	68 / 53	110
CJTHT-80-6T-2/PLUS	945	7.40	4.30		1.50	26	25950	69	111
CJTHT-80-6/12T-2/PLUS	960 / 470		4.30 / 1.70		1.50 / 0.25	26	25950 / 12975	69 / 54	115
CJTHT-80-6T-3/PLUS	950	10.30	5.90		2.20	32	29950	70	118
CJTHT-80-6/12T-3/PLUS	940 / 470		5.60 / 2.20		2.20 / 0.37	32	29950 / 14975	70 / 55	124
CJTHT-80-8T-0.75/PLUS	700	3.60	2.10		0.55	20	17550	67	95

CJTHT/PLUS

Technical characteristics

Model	Speed (r/min)	Maximum admissible current (A)			Power installed (kW)	Tilting angle blades (°)	Airflow maximum (m³/h)	Sound pressure level dB(A)	Approx. weight (Kg)
		230V	400V	690V					
CJTHT-80-8T-1/PLUS	710	4.80	2.80		0.75	28	20650	68	102
CJTHT-90-4T-4/PLUS	1430	11.40	6.60		3.00	8	33600	82	136
CJTHT-90-4/8T-4/PLUS	1420 / 705		6.90 / 2.30		3.00 / 0.60	8	33600 / 16800	82 / 68	149
CJTHT-90-4T-5.5/PLUS	1440		8.40	4.85	4.00	12	38900	84	142
CJTHT-90-4/8T-5.5/PLUS	1450 / 720		9.40 / 3.50		4.00 / 0.80	12	38900 / 19450	84 / 69	177
CJTHT-90-4T-7.5/PLUS	1430		11.50	6.64	5.50	18	46150	86	168
CJTHT-90-4/8T-7.5/PLUS	1455 / 725		12.80 / 4.60		5.50 / 1.10	18	46150 / 23075	86 / 72	182
CJTHT-90-4T-10/PLUS	1460		17.70	10.22	7.50	22	50150	87	179
CJTHT-90-4/8T-9/PLUS	1455 / 725		15.50 / 5.50		6.70 / 1.50	22	50150 / 25075	87 / 73	182
CJTHT-90-6T-2/PLUS	945	7.40	4.30		1.50	16	28800	74	135
CJTHT-90-6/12T-2/PLUS	960 / 470		4.30 / 1.70		1.50 / 0.25	16	28800 / 14400	74 / 59	139
CJTHT-90-6T-3/PLUS	950	10.30	5.90		2.20	24	34000	75	142
CJTHT-90-6/12T-3/PLUS	940 / 470		5.60 / 2.20		2.20 / 0.37	24	34000 / 17000	75 / 60	148
CJTHT-90-6T-4/PLUS	945	15.00	8.70		3.00	30	38900	76	166
CJTHT-90-6/12T-4/PLUS	970 / 475		8.90 / 3.50		3.00 / 0.55	30	38900 / 19450	76 / 61	168
CJTHT-90-8T-1/PLUS	710	4.80	2.80		0.75	18	22900	68	126
CJTHT-90-8T-2/PLUS	700	9.00	5.20		1.50	30	29500	69	142
CJTHT-90-8T-3/PLUS	705	13.20	7.60		2.20	32	30850	70	158
CJTHT-100-4T-7.5/PLUS	1430		11.50	6.64	5.50	10	46850	88	176
CJTHT-100-4/8T-7.5/PLUS	1455 / 725		12.80 / 4.60		5.50 / 1.10	10	46850 / 23425	88 / 73	190
CJTHT-100-4T-10/PLUS	1460		17.70	10.22	7.50	16	57400	89	187
CJTHT-100-4/8T-9/PLUS	1455 / 725		15.50 / 5.50		6.70 / 1.50	14	54700 / 27350	89 / 74	190
CJTHT-100-4T-15/PLUS	1455		23.00	13.28	11.00	22	66300	90	231
CJTHT-100-4/8T-15/PLUS	1470 / 725		23.20 / 8.70		11.00 / 2.80	22	66300 / 33150	90 / 75	231
CJTHT-100-4T-20/PLUS	1460		29.00	16.74	15.00	28	76150	91	246
CJTHT-100-4/8T-20/PLUS	1470 / 725		31.70 / 11.80		15.00 / 3.80	28	76150 / 38075	91 / 76	246
CJTHT-100-6T-3/PLUS	950	10.30	5.90		2.20	16	37600	79	150
CJTHT-100-6/12T-3/PLUS	940 / 470		5.60 / 2.20		2.20 / 0.37	16	37600 / 18800	79 / 64	156
CJTHT-100-6T-4/PLUS	945	15.00	8.70		3.00	20	41150	80	175
CJTHT-100-6/12T-4/PLUS	970 / 475		8.90 / 3.50		3.00 / 0.55	20	41150 / 20575	80 / 65	176
CJTHT-100-6T-5.5/PLUS	970		11.00	6.35	4.00	26	47800	81	187
CJTHT-100-6/12T-5.5/PLUS	970 / 480		11.30 / 4.20		4.00 / 0.65	26	47800 / 23900	81 / 66	187
CJTHT-100-8T-2/PLUS	700	9.00	5.20		1.50	22	32900	74	150
CJTHT-100-8T-3/PLUS	705	13.20	7.60		2.20	30	39400	74	167
CJTHT-100-8T-4/PLUS	710	15.60	9.00		3.00	32	40550	75	187

Acoustic features

The specified values are determined according to free field measurements of pressure and sound levels in dB(A) at an equivalent distance of twice the fan's span plus the impeller's diameter, with a minimum of 1.5 m.

Sound power Lw(A) spectrum in dB(A) via frequency band in Hz.

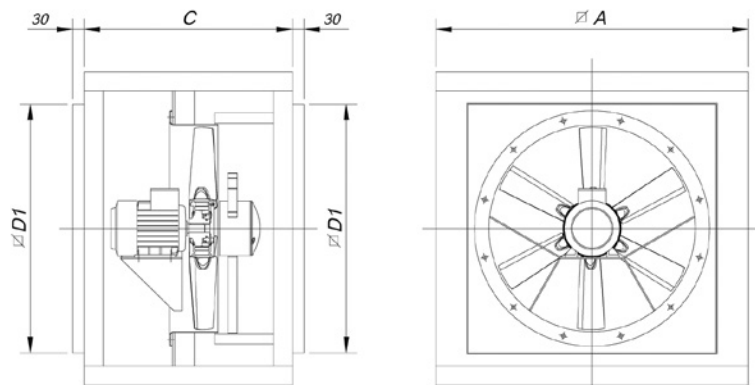
Model	63	125	250	500	1000	2000	4000	8000	Model	63	125	250	500	1000	2000	4000	8000
40-2-1,5	43	64	71	76	79	75	68	57	50-6	28	48	56	61	63	60	53	42
40-4-1,5 (2V)	28	49	56	61	64	60	53	42	50-12 (2V)	13	33	41	46	48	45	38	27
40-2-2	44	65	72	77	80	76	69	58	56-2-6	58	78	86	91	93	90	83	72
40-4-2 (2V)	29	50	57	62	65	61	54	43	56-4-6 (2V)	42	62	70	75	77	74	67	56
40-4-0,75	31	52	59	64	67	63	56	45	56-2-12	59	79	87	92	94	91	84	73
40-6	21	42	49	54	57	53	46	35	56-4-12 (2V)	44	64	72	77	79	76	69	58
40-12 (2V)	6	27	34	39	42	38	31	20	56-4-1	43	63	71	76	78	75	68	57
45-2-2	45	66	73	78	81	77	70	59	56-4-1,5	44	64	72	77	79	76	69	58
45-4-2 (2V)	30	51	58	63	66	62	55	44	56-8-1,5 (2V)	27	47	55	60	62	59	52	41
45-2-3	47	68	75	80	83	79	72	61	56-4-2	45	65	73	78	80	77	70	59
45-4-3 (2V)	32	53	60	65	68	64	57	46	56-8-2 (2V)	28	48	56	61	63	60	53	42
45-4-0,75	35	56	63	68	71	67	60	49	56-6	33	53	61	66	68	65	58	47
45-6	23	44	51	56	59	55	48	37	56-12 (2V)	16	36	44	49	51	48	41	30
45-12 (2V)	8	29	36	41	44	40	33	22	63-4-1	45	65	73	78	80	77	70	59
50-2-4	52	72	80	85	87	84	77	66	63-4-1,5	44	64	72	77	79	76	69	60
50-4-4 (2V)	35	55	63	68	70	67	60	49	63-8-1,5 (2V)	27	47	55	60	62	59	52	43
50-2-6	53	73	81	86	88	85	78	67	63-4-2	47	64	72	77	79	76	69	61
50-4-6 (2V)	38	58	66	71	73	70	63	52	63-8-2 (2V)	30	47	55	60	62	59	52	44
50-4-1	39	59	67	72	74	71	64	53	63-4-3	49	67	75	80	82	79	74	63

Acoustic features

Sound power Lw(A) spectrum in dB(A) via frequency band in Hz.

Model	63	125	250	500	1000	2000	4000	8000	Model	63	125	250	500	1000	2000	4000	8000
63-8-3 (2V)	31	49	57	62	64	61	56	45	90-8-4 (2V)	43	64	71	76	79	75	68	60
63-4-4	50	68	76	81	83	80	75	64	90-4-5,5	56	77	84	89	92	88	81	70
63-8-4 (2V)	32	50	58	63	65	62	57	46	90-8-5,5 (2V)	41	62	69	74	77	73	66	55
63-6-0,75	38	56	64	69	71	68	61	52	90-4-7,5	55	76	83	88	91	87	80	69
63-12-0,75 (2V)	21	37	45	50	52	49	42	31	90-8-7,5 (2V)	40	61	68	73	76	72	65	54
63-6-1	39	58	66	71	73	70	63	53	90-4-10	54	75	82	87	90	86	79	68
63-12-1 (2V)	22	39	47	52	54	51	44	36	90-4-9	54	75	82	87	90	86	79	68
71-4-1,5	51	71	79	84	86	83	76	65	90-8-9 (2V)	40	61	68	73	76	72	65	54
71-8-1,5 (2V)	36	55	63	68	70	67	61	50	90-6-2	46	67	74	79	82	78	71	60
71-4-2	50	70	78	83	85	82	75	66	90-12-2 (2V)	29	50	57	62	65	61	54	43
71-8-2 (2V)	35	55	63	68	70	67	60	51	90-6-3	53	67	74	79	82	78	71	60
71-4-3	53	68	76	81	83	80	73	67	90-12-3 (2V)	38	50	57	62	65	61	54	43
71-8-3 (2V)	39	54	62	67	69	66	59	53	90-6-4	54	69	76	81	84	80	73	62
71-4-4	54	69	77	82	84	81	74	68	90-12-4 (2V)	39	52	59	64	67	63	56	45
71-8-4 (2V)	40	55	63	68	70	67	60	54	90-8-1	39	60	67	72	75	71	64	53
71-6-0,75	40	60	68	71	73	70	63	52	90-8-2	47	62	69	74	77	73	66	55
71-12-0,75 (2V)	26	42	50	55	57	54	47	36	90-8-3	48	62	69	74	77	73	66	55
71-6-1	41	61	69	71	73	70	63	52	100-4-7,5	61	81	89	94	96	93	86	75
71-12-1 (2V)	26	42	50	55	57	54	47	36	100-8-7,5 (2V)	46	66	74	79	81	78	71	60
71-6-1,5	42	62	67	72	74	71	64	53	100-4-10	59	79	87	92	94	91	84	73
71-12-1,5 (2V)	27	42	50	55	57	54	47	36	100-4-9	60	80	88	93	95	92	85	74
80-4-3	55	74	82	88	89	86	80	69	100-8-9 (2V)	45	65	73	78	80	77	70	59
80-8-3 (2V)	40	59	67	73	74	71	65	54	100-4-15	58	78	86	91	93	90	83	72
80-4-4	53	73	81	86	88	85	78	70	100-8-15 (2V)	43	63	71	76	78	75	68	57
80-8-4 (2V)	38	58	66	71	73	70	63	55	100-4-20	60	80	88	93	95	92	85	74
80-4-5,5	53	73	81	86	88	85	78	71	100-8-20 (2V)	44	64	72	77	79	76	69	58
80-8-5,5 (2V)	37	57	65	70	72	69	62	56	100-6-3	59	70	78	83	85	82	75	64
80-6-1,5	45	62	70	75	77	74	67	56	100-12-3 (2V)	44	53	61	66	68	65	58	47
80-12-1,5 (2V)	30	45	53	58	60	57	50	39	100-6-4	60	68	76	81	83	80	73	62
80-6-2	46	63	71	76	78	75	68	57	100-12-4 (2V)	45	52	60	65	67	64	57	46
80-12-2 (2V)	31	46	54	59	61	58	51	40	100-6-5,5	61	70	78	83	85	82	75	64
80-6-3	47	64	72	77	79	76	69	58	100-12-5,5 (2V)	46	53	61	66	68	65	58	47
80-12-3 (2V)	32	47	55	60	62	59	52	41	100-8-2	54	64	72	77	79	76	69	58
80-8-0,75	44	57	65	70	72	69	62	51	100-8-3	54	66	74	79	81	78	71	60
80-8-1	45	58	66	71	73	70	63	52	100-8-4	55	66	74	79	81	78	71	60
90-4-4	57	78	85	90	93	89	82	74									

Dimensions in mm



Model	∅A	C	∅D1
CJTHT/PLUS-40/45/50	700	550	565
CJTHT/PLUS-56/63	825	550	690
CJTHT/PLUS-71/80	1000	650	850
CJTHT/PLUS-90/100	1200	750	1050

Characteristic curves

See characteristic curves on page 33.

Accessories

See accessories section

