

**WPA-P-N/Ex –
portable fan**



II 2 G c Ex e II T3

Purpose

WPA-P-N/Ex stationary fans have been developed for use in the areas of explosion hazard, where explosive atmosphere (i.e. mixture of flammable compounds in the form of gas and vapour with the air) is likely to occur.

Increased fan pressure make them particularly efficient within installations of local exhausts, filtering units and also within the system of significant flow resistances.

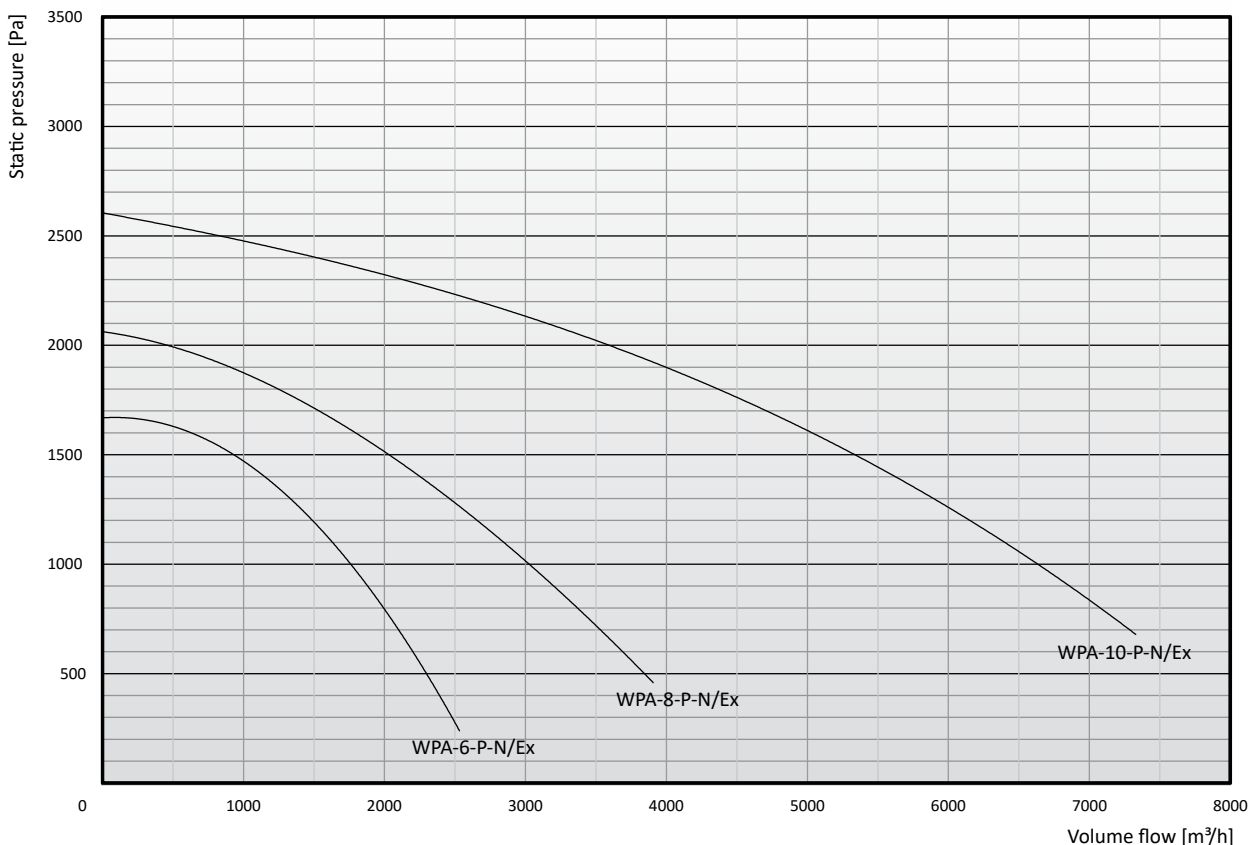
The fans can be operated within the range of temperatures -20°C up to $+40^{\circ}\text{C}$. They are efficient in forwarding the dry air, of dustiness not exceeding $0,3 \text{ g/m}^3$, without viscous contamination, aggressive compounds and of maximum temperature $+60^{\circ}\text{C}$.

Structure

Stationary fans consist of a spiral steel housing and a motor of Ex execution. The aluminium radial impeller is directly installed on the motor shaft, whereby the impeller blades cross-section is inspired by the aircraft wing profile, providing low acoustic pressure level.

For safety reason, the inlet and outlet are equipped with a protective grill and adapted for connection of flexible hoses, fastened by hose clamps. The fan is mounted on a stand of vibro-isolating features.

The fan connections are equipped with protective cables to lead the electrostatic charges away.



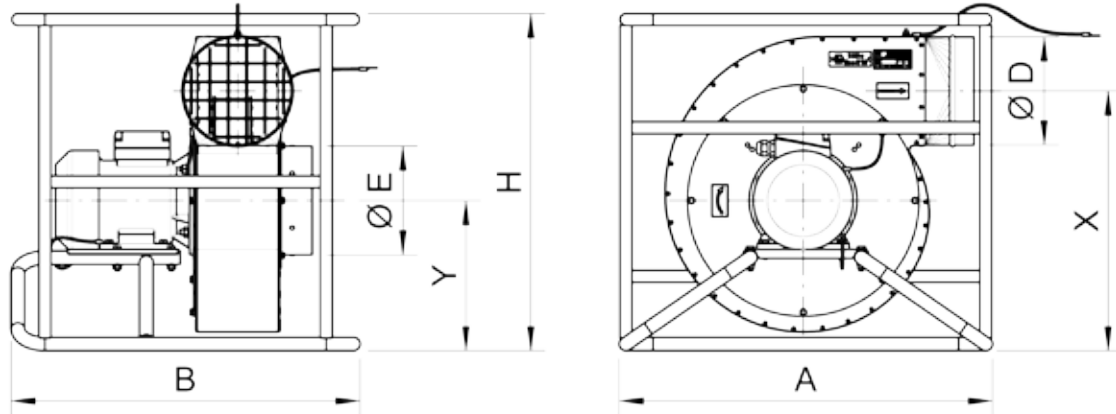


Technical data

Type	Part no.	Marking	Synchronous rotations* [1/min]	Supply voltage [V]	Motor rate [kW]	Ingress protection IP	Acoustic pressure level [dB(A)] from a distance of:		Maximum volume flow [m³/h]	Maximum vacuum [Pa]	Weight [kg]
							1 m	5 m			
WPA-6-P-N/Ex	888W16	II 2 G c Ex e II T3	3000	3x400	0,75	56	83/75**	69/61**	2500	1700	26
WPA-8-P-N/Ex	888W17	II 2 G c Ex e II T3	3000	3x400	1,5	56	88/78**	74/64**	3900	2050	34
WPA-10-P-N/Ex	888W18	II 2 G c Ex e II T3	3000	3x400	4,0	56	91/81**	77/67**	7400	2600	74

* Fan motors are not adapted for rotational speed governors.

** Acoustic pressure level was measured with the TK L = 500 mm silencers, installed at the fan inlet and outlet (TK L = 370 mm).



Dimensions

Type	A [mm]	B [mm]	ØD [mm]	ØE [mm]	X [mm]	Y [mm]	H [mm]
WPA-6-P-N/Ex	555	605	160	160	455	245	575
WPA-8-P-N/Ex	690	645	200	200	480	280	625
WPA-10-P-N/Ex	775	825	250	250	540	310	745