

## CENTRIFUGAL FANS AND IN-LINE DUCT EXTRACTOR FANS

# CMP/AL CJMP/AL



**CMP/AL: Aluminium non-spark fans with certificate of compliance with standard UNE-60601 and in accordance with natural gas boiler room needs.**

**CJMP/AL: Aluminium non-spark ventilation units with certificate of compliance with standard UNE-60601 and in accordance with natural gas boiler room needs.**



#### Fan:

- Forward-curved impeller made of sheet aluminium.
- CMP/AL: Sheet aluminium casing.
- CJMP/AL: Galvanised sheet steel structure.

phosphate-free nanotechnological treatment.

- CJMP/AL: Anti-corrosive finish on galvanised sheet steel.

#### On request:

- Special windings for different voltages.
- ATEX-certified Category 2.

#### Motor:

- Class F motors with ball bearings and IP55 protection.
- Single-phase 230 V - 50 Hz.
- Maximum temperature of air to be carried: -20 °C +120 °C.

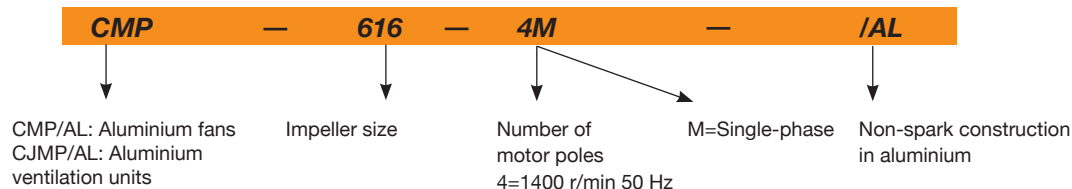
#### Finish:

- CMP/AL: Anti-corrosive finish of polyester resin polymerised at 190 °C, previously degreased with



Dynamically balanced rotors with extremely robust cores

### Order code



### Technical characteristics

Model	Speed	Maximum admissible current (A)	Installed power	Maximum flow rate	Sound pressure level	Approx. weight	According to ErP
	(r/min)	230 V	(kW)	m <sup>3</sup> /h	dB(A)	(kg)	
CMP-512-4M/AL	1370	0.83	0.09	255	55	4	Excluded
CMP-514-4M/AL	1370	0.83	0.09	565	58	5	Excluded
CMP-616-4M/AL	1370	0.83	0.09	850	61	8	Excluded
CMP-820-4M/AL	1370	2.00	0.25	1670	66	10	2015
CJMP-512-4M/AL	1370	0.83	0.09	255	50	8.5	Excluded
CJMP-514-4M/AL	1370	0.83	0.09	565	54	10.5	Excluded
CJMP-616-4M/AL	1370	0.83	0.09	850	57	14.5	Excluded
CJMP-820-4M/AL	1370	2.00	0.25	1670	60	18.0	2015



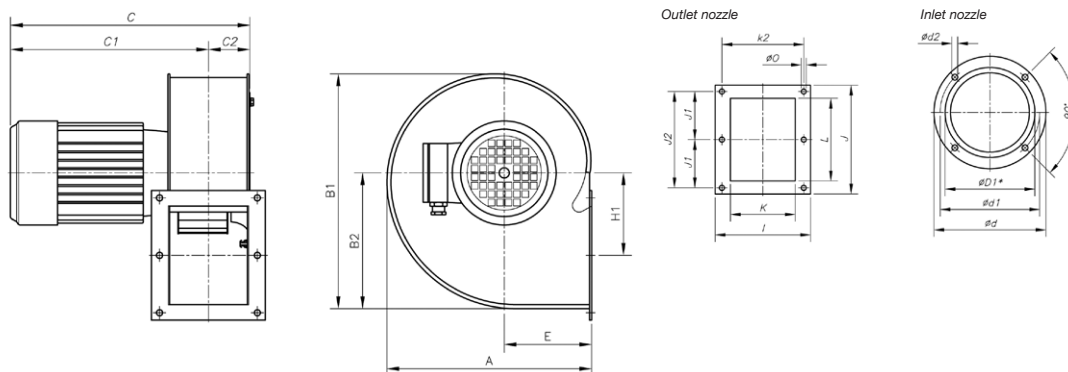
### Erp. (Energy Related Products)

Information on Directive 2009/125/EC can be downloaded from the SODECA website or the QuickFan selector programme.



**Dimensions mm**

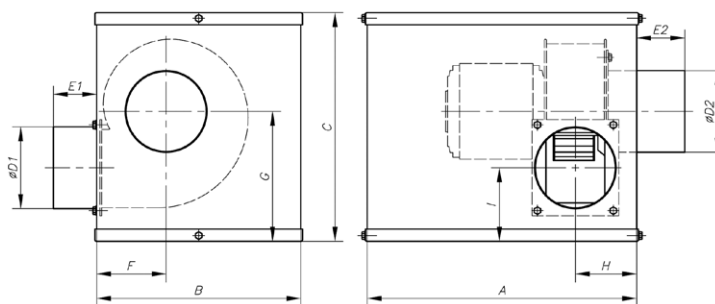
**CMP/AL-512...820**



	A	B1	B2	C	C1	C2	øD1*	ød	ød1	ød2	E	H1	I	J	J1	J2	K	k2	L	ø0
CMP-512-4M/AL	182	207	118	197,5	159	38,5	112	140	132	M4	81	69	106	118	-	105	72	93	86	5.5
CMP-514-4M/AL	225	254	150	210	165	45	140	169	151,5	M4	100	91	122	147	64	128	83	105	107	6.5
CMP-616-4M/AL	258	297	173,5	270	214	56	160	204	180	M6	110	105.5	153	172	-	147	103	128	125	7
CMP-820-4M/AL	322	377	223	345.5	277	68.5	200	247	230	M4	137.5	137	184	213	94.5	189	130	160	156	9

\* Recommended nominal tube diameter

**CJMP/AL-512...820**



	A	B	C	øD1	øD2	E1	E2	F	G	H	I
CJMP/AL-512	330	250	280	100	100	53	59	85	159	75	90
CJMP/AL-514	330	270	320	125	125	53	58	104	190	82	100
CJMP/AL-616	370	300	370	135	135	53	52	114	217	100	110
CJMP/AL-820	450	400	450	135	195	53	51	142	267	112	130

**Characteristic curves**

Q= Flow rate in m<sup>3</sup>/h, m<sup>3</sup>/s and cfm

Pe= Static pressure in mm H<sub>2</sub>O, Pa and inwg

